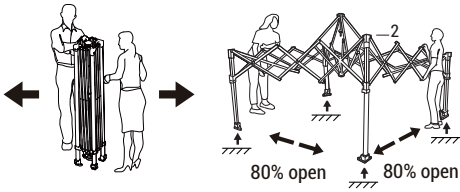


SETTING UP THE CANOPY

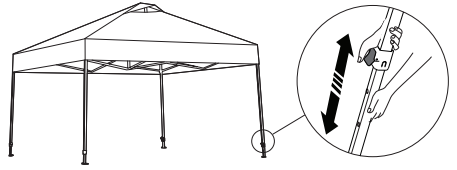
1 OPENING THE CANOPY FRAME

- With a partner, stand across from each other.
- Grasp a truss at the top of the frame (2) and the other truss at the bottom, as shown. Lift slightly off ground and step backwards while squeezing trusses together.



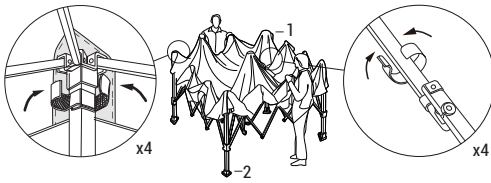
4 ADJUSTING THE CANOPY HEIGHT

- Lift up one side. Grasp the outer or upper leg with one hand and pull out the inner leg with the other.
- Extend until the button engages.
- Set legs to desired height.



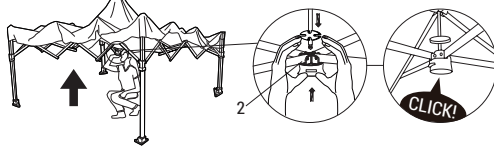
2 ATTACHING THE CANOPY

- Unfold the canopy (1) and place on top of the canopy frame (2).
- Secure the canopy (1) top to the corners of the canopy frame (2) using the Velcro connections.



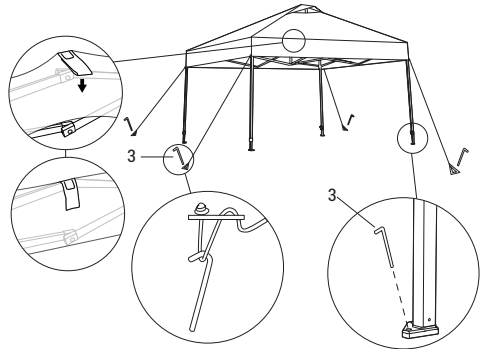
3 LOCKING THE FRAME

- Lift up one side of the frame (2) and walk under it.
- Place one hand on the upper frame and use the other hand to push the central hub straight up until it clicks into the central pole.



5 SECURING THE CANOPY IN PLACE

- Insert a stake (3) into the foot of each canopy leg.
- Measure out each leg to a proper distance and secure four stakes (3) to the ground. Attach the ropes to the canopy top and tie the attached ropes to the stakes in the ground. Ensure the ropes have the proper tension by adjusting the plastic adjusters on the ropes.
- Slider the locking tab over the knob to secure the top tightly.



TAKING DOWN THE CANOPY

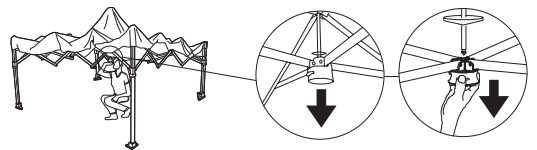
1 REMOVING THE STAKES AND RETRACTING THE LEGS

- Pull up all stakes from the ground.
- Press the push button to lower all legs.



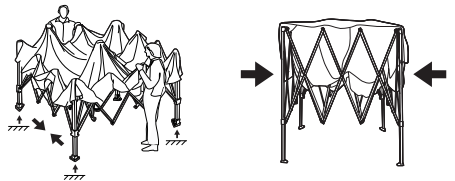
2 UNLOCKING THE CANOPY

- From underneath the canopy, press in the red lock button. Pull down on the central hub until it is separated from the central pole.



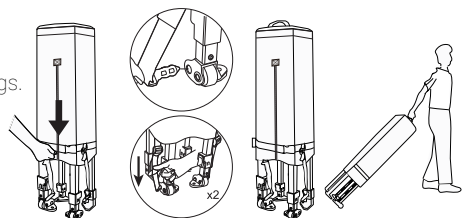
3 FOLDING THE FRAME

- Lift the canopy off the ground 2-3 inches and walk it in from both sides until the frame is fully closed.



4 PACKING THE CANOPY IN THE STORAGE BAG

- Position the cover bag zipper to align with the 2 wheeled legs. Slide down the bag over the closed frame and zippered.
- Loosen the strap and insert the red plug into the opening in the footpad and tighten straps by pulling down the strap loop.



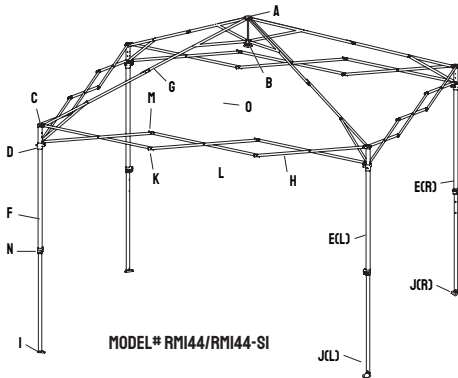
WARRANTY

The manufacturer warrants for a period of 1 year from the original date of purchase, this product against any defects in materials or workmanship. At its discretion, the manufacturer may provide replacement parts to the original purchaser. Original receipt or proof of purchase as well as proof of defect is required, The manufacturer will not be responsible for shipping costs incurred outside the continental USA. Warranty is valid for the original purchaser 1 year from the date of purchase and is not transferable. This warranty does not cover any product purchased through non-authorized dealers and/or online auction websites.

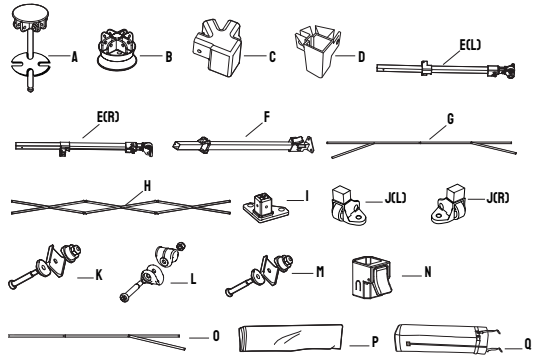
WHAT IS NOT COVERED

This 1 Year Limited Warranty does not cover normal wear and tear, abuse or misuse of this product including damage from inclement weather conditions, such as wind, rain, or hail. In case of inclement weather, remove all valuables and persons and seek appropriate shelter. Under no circumstances will the manufacturer be liable or responsible for any incidental or consequential damages. This product is designed and intended for recreational use only. Prolonged exposure to UV rays will cause any fabric to fade and deteriorate and is NOT covered by this 1 Year Limited Warranty. All replacement products or parts will assume the remaining warranty of the original product. This warranty gives you specific legal rights. You may also have other rights which vary from state to state.

SPARE PARTS



MODEL# RM144/RM144-SI



PART DESCRIPTION	REFERENCE NO.
A Central Pole	UNCP98BKMI
B Central Bottom Hub	UNCH00BKCL
C Leg Cap	UNLC11BKMI
D Slider	UNLS11BKMI
E(L) Leg With wheel(Left)	CSLA12GYWL
E(R) Leg With wheel(Right)	CSLA12GYWR
F Leg without wheel	CSLA12GYNW
G Ceiling Assembly	UNCA12GYO1
H Eave Assembly	UNEA12GYCL
I Foot without wheel	UNFT11BKNW
J(L) Foot with wheel(left)	UNFT11BKWL
J(R) Foot with wheel(right)	UNFT11BKWR
K M5 Bolt Kit	UNBKM5BK4P
L M4 Bolt Kit	UNBKM4BK2P
M M5-Bolt Kit	CSBKM5BK2P
N Leg Extender	UNLE11BK4P
O Ceiling Assembly Surport	UNCA12GYCS

PART DESCRIPTION	REFERENCE NO.
P Top Fabric-Blue	CST112BLCL
Top Fabric-White	CST112WHCL
Top Fabric-Grey	CST112GYCL
Top Fabric-Beige	CST112BECL
Top Fabric-Black	CST112BKCL
Top Fabric-Red	CST112RDCL
Q Cover Bag	UNCB12BKSG



NEED ASSISTANCE?

Please contact our customer service team.



Service@crownshadesusa.com



Toll Free (888) 877-6789
Mon-Fri 9:00 AM - 5:00 PM PST



www.crown-outdoor.com