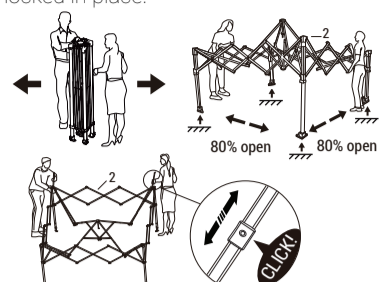


SETTING UP THE CANOPY

1 OPENING THE CANOPY FRAME

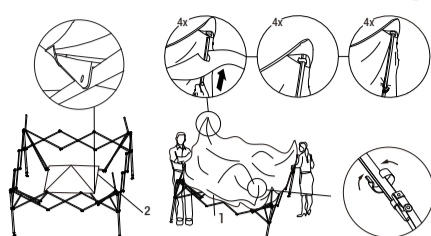
- With a partner, stand across from each other.
- Grasp a truss at the top of the frame (2) and the other truss at the bottom, as shown. Lift slightly off ground and step backwards while squeezing trusses together.
- Pull out the extension pole in each corner until locked in place.



TIPS:
Lift up the frame 2'-3" off the ground especially in tall grass or sand. Grasp the trusses away from the connections to avoid pinching. Get the frame 80%-90% opened.

2 ATTACHING THE CANOPY TOP

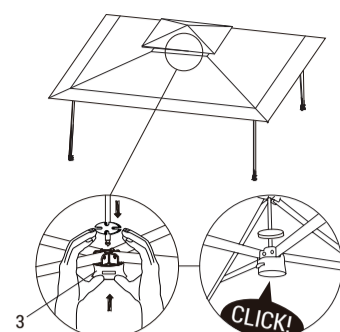
- Unfold the small canopy top (2) and place it over the open frame (3). Attach the four canopy corners to the frame top.
- Unfold the large canopy top (1) and place on top of the frame (3). Be sure the neckband of the large canopy is totally under the small canopy top.
- Pull the elastic loop over the end cap and insert the end cap into the corner webbing.



TIPS:
Find the corners of the canopy before draping over frame. Do not attach the canopy while the frame is fully extended.

3 LOCKING THE FRAME

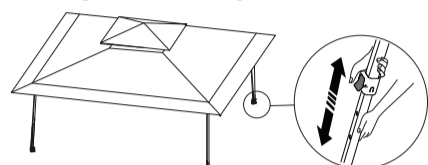
- Lift up one side of the frame (3) and walk under it.
- Place one hand on the upper frame and use the other hand to push the central hub straight up until it clicks into the central pole.



TIPS:
Lift the frame slightly off the ground while pushing up hub. Use both hands to guide the pole into the hub. Don't raise the legs before prior to locking the frame.

4 ADJUSTING THE CANOPY HEIGHT

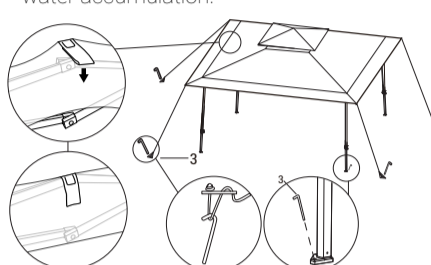
- Lift up one side. Grasp the outer or upper leg with one hand and pull out the inner leg with the other.
- Extend until the button engages.
- Set legs to desired height.



TIPS:
Do not keep your foot on the footplate while extending the leg. This creates tension to cause frame damage. Only extend legs after the central lock is engaged. Utilize the various height adjustment to create a level shade.

5 SECURING THE CANOPY IN PLACE

- Insert a stake (3) into the foot pad of the leg.
- Measure out each leg to a proper distance and secure four stakes (3) to the ground. Attach the ropes to the canopy top and tie the attached ropes to the stakes in the ground. Ensure the ropes have the proper tension by adjusting the plastic adjusters on the ropes.
- Connect the plastic sheet at the top to the plastic part of the frame eave (red parts) to reduce water accumulation.



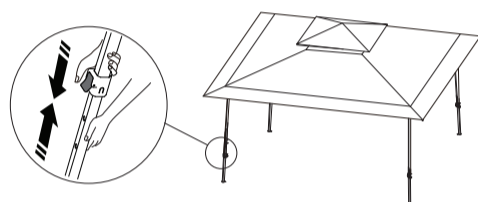
TIPS:
Always secure your canopy with the guy ropes and stakes.

WARNING KEEP ALL FLAME AND HEAT SOURCES AWAY FROM THIS TENT FABRIC. Take care not to pinch your fingers in the frame during setup and take down. Never set up or continue to use in any rain, wind, or storm conditions, especially lightning storms.

TAKING DOWN THE CANOPY

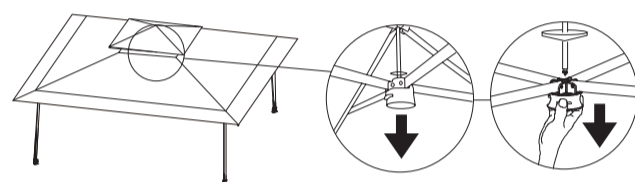
1 REMOVING THE STAKES AND RETRACTING THE LEGS

- Pull up all stakes from the ground.
- Press the push button to lower all legs.



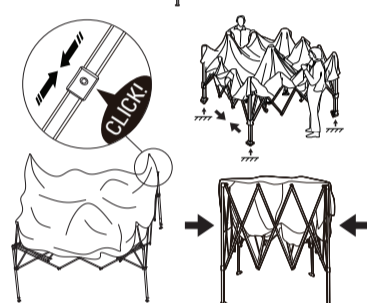
2 UNLOCKING THE CANOPY

- From underneath the canopy, press in the red lock button. Pull down on the central hub until it is separated from the central pole.



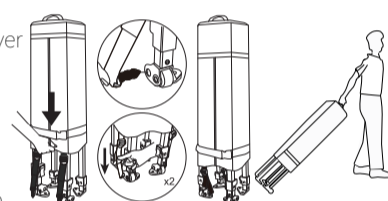
3 FOLDING THE FRAME

- Release the push pin on the extension truss and slide it back into the peak truss.
- Grasp the top of the trusses, lift slightly off the ground, and walk the frame in until closed.



4 PACKING THE CANOPY IN THE STORAGE BAG

- Position the cover bag straps to align with the 2 wheeled legs. Slide down the bag over the closed frame.
- Loosen the strap and insert the red plug into the opening in the footpad and tighten straps by pulling down the strap loop.



WARRANTY

The manufacturer warrants for a period of 1 year from the original date of purchase, this product against any defects in materials or workmanship. At its discretion, the manufacturer may provide replacement parts to the original purchaser. Original receipt or proof of purchase as well as proof of defect is required. The manufacturer will not be responsible for shipping costs incurred outside the continental USA. Warranty is valid for the original purchaser 1 year from the date of purchase and is not transferable. This warranty does not cover any product purchased through non-authorized dealers and/or online auction websites.

WHAT IS NOT COVERED

This 1 Year Limited Warranty does not cover normal wear and tear, abuse or misuse of this product including damage from inclement weather conditions, such as wind, rain, or hail. In case of inclement weather, remove all valuables and persons and seek appropriate shelter. Under no circumstances will the manufacturer be liable or responsible for any incidental or consequential damages. This product is designed and intended for recreational use only. Prolonged exposure to UV rays will cause any fabric to fade and deteriorate and is NOT covered by this 1 Year Limited Warranty. All replacement products or parts will assume the remaining warranty of the original product. This warranty gives you specific legal rights. You may also have other rights which vary from state to state.

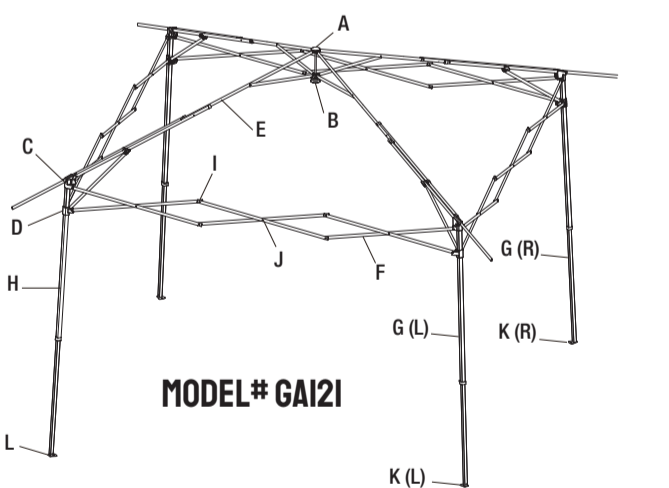
SPARE PARTS



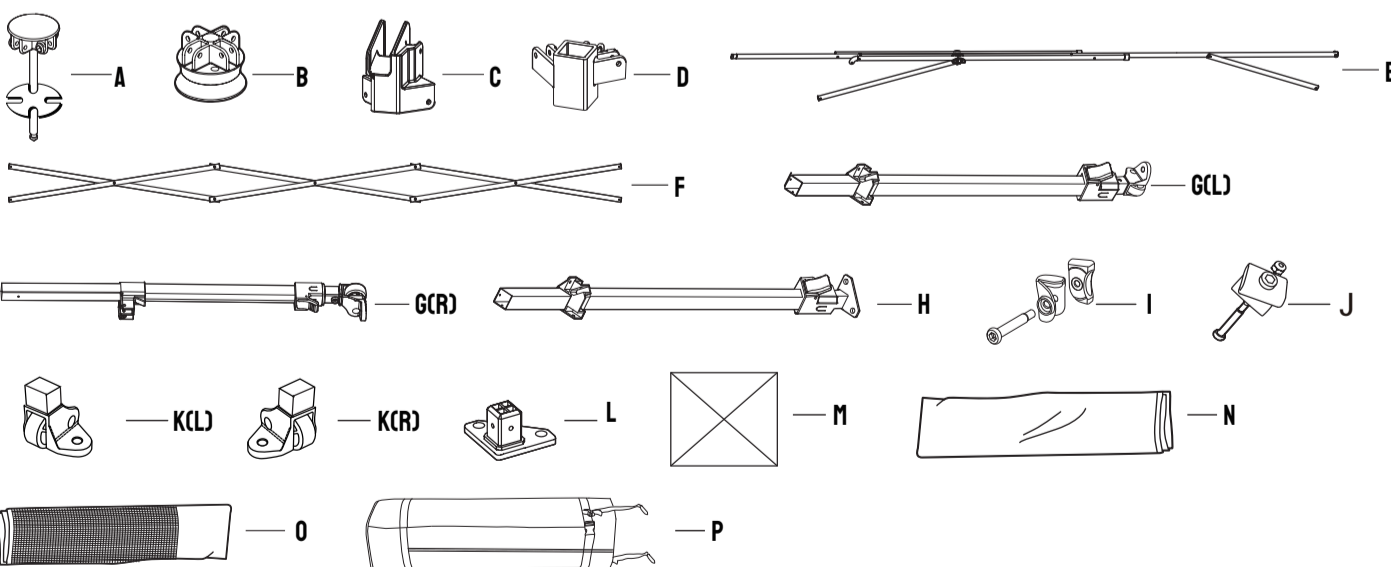
NEED ASSISTANCE?

Please contact our customer service team.

Service@crownsadesusa.com
Toll Free (888) 877-6789
Mon-Fri 9:00 AM - 5:00 PM PST
www.crown-outdoor.com



MODEL# GA121



PART	DESCRIPTION	REFERENCE NO.
A	Central Pole	UNCP82BECL
B	Central Bottom Hub	UNCH00BECL
C	Leg Cap	UNLC11BECA
D	Slider	UNLS11BEMI
E	Ceiling Assembly	CSCA10BE00
F	Eave Assembly	UNEA10BECL
G(L)	Leg With Wheel (Left)	CSLA10BEWL
G(R)	Leg With Wheel (Right)	CSLA10BEWR
H	Leg No wheel	CSLA10BENW
I	M5 Bolt Kit	UNBKM5BECL
J	M4 Bolt Kit	UNBKM4BECL
K(L)	Foot with wheel (left)	UNFT11BKWL
K(R)	Foot with wheel (right)	UNFT11BKWR

PART	DESCRIPTION	REFERENCE NO.
L	Foot without wheel	UNFT11BKNW
M	Small top (Brown)	UNT110BRTS
	Small top (Red)	UNT110RDTS
	Small top (Grey)	UNT110GYTS
	Top Fabric (Khaiki-Brown)	CST110BEBR
N	Top Fabric (Grey-Red)	CST110GYRDL
	Top Fabric (Grey)	CST110GYCL
O	Mosquito Netting (Coffee)	UNMN10BR00
	Mosquito Netting (Grey)	UNMN10GY00
P	Cover Bag	CSCB10BKNW