

# GRILL GAZEBO 5FT X 8 FT W/SHELVES



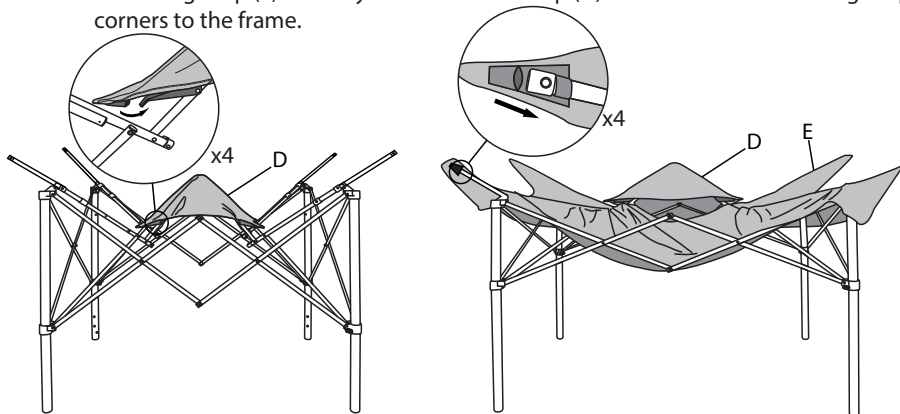
### ATTENTION!

**IMPORTANT: READ THIS INFORMATION BEFORE PROCEEDING!**  
To avoid damage to your frame, please read the enclosed instructions carefully before setting up your canopy.

1

## 2 ATTACHING THE CANOPY

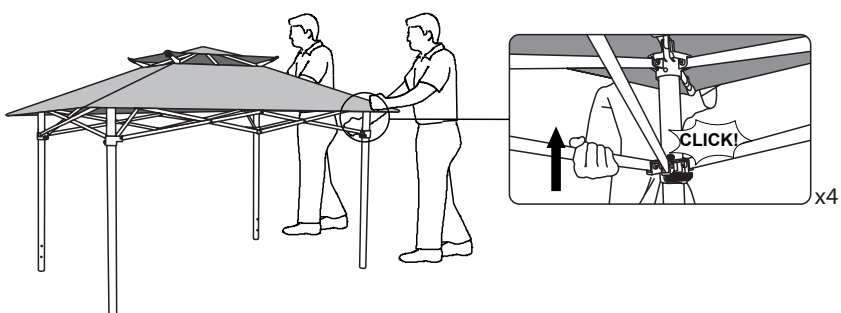
- Unfold the small top (D) and place it over the open frame (A). Then attach the four small top corners to the frame.
- Unfold the large top (E) and place it over the open frame (A). Be sure the neckband of the large top (E) is totally under the small top (D). Then attach the four large top corners to the frame.



**TIPS:**  
Find the corners of the canopy before draping over frame.  
Do not attach the canopy while the frame is fully extended.

## 3 LOCKING THE FRAME

- With a partner, start on a narrow side. Place one hand on the upper canopy corner, and use the other hand to push the truss straight up until you hear a click indicating the truss is set into the hole on the canopy leg.
- Repeat with the remaining canopy legs.



3



## Use and Care Guide

GRILL GAZEBO 5FT X 8FT  
W/SHELVES

### PACKAGE CONTENTS



A - Frame x1



B - Lower leg assembly x4



C - Glass table x2



D - Small top x1



E - Large top x1



F - Knob x10

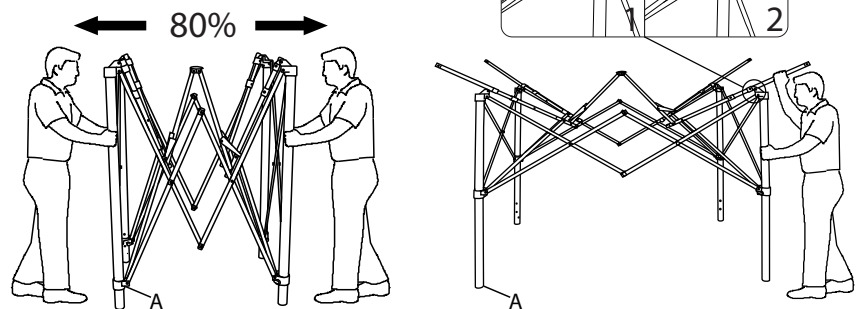


G - Stake x8

### Setting Up the Canopy

#### 1 OPENING THE CANOPY FRAME

- With a partner, stand across from each other.
- Grab one leg of the frame (A) in each hand as shown. Lift slightly off the ground and step backwards while pulling the legs away from each other, bringing the truss closer together vertically.
- Pull out the four telescopic poles until the **CLICK!** indicating the pin is locked.

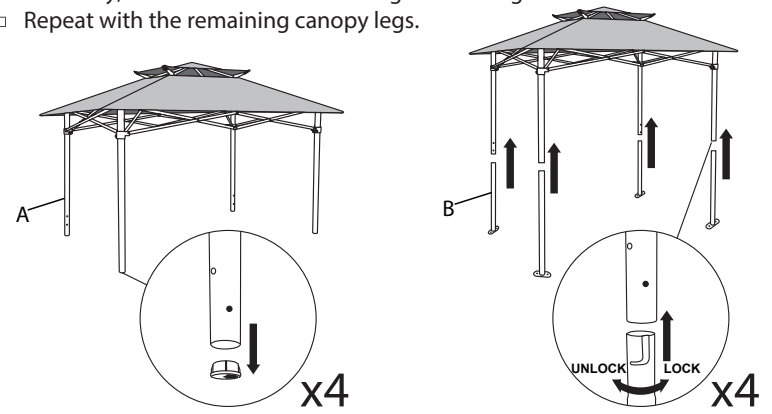


**TIPS:**  
Lift the frame 2" - 3" off the ground, especially in tall grass or sand. Grasp the trusses away from the connections to avoid pinching. Open the frame to 80% - 90% to make for easier canopy fabric installation.

2

#### 4 INSERT LOWER LEG

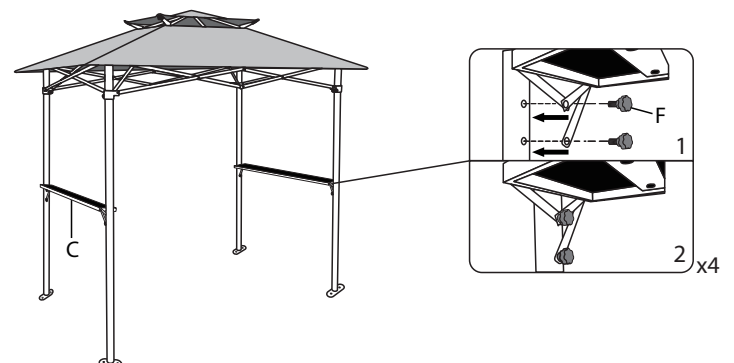
- Remove the four black plastic plugs from the leg of the frame (A).
- With a partner, start on the narrow side and lift the frame at the same time.
- Align the groove of the leg assembly (B) with the small groove of the upper leg assembly, then insert and rotate to tighten the leg.
- Repeat with the remaining canopy legs.



**TIPS:**  
This step must be done by two people.

#### 5 INSTALL GLASS TABLES

- With one person holding the glass table (C) in position, the other person must use the knob (F) to attach the glass table to the frame legs.
- Repeat with the remaining table and legs.

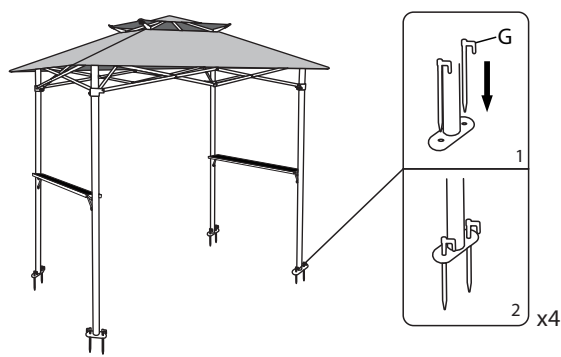


**TIPS:**  
This step must be done by two people.

4

## 6 SECURING THE CANOPY IN PLACE

- Insert two stakes (G) into the foot of each canopy leg if possible.

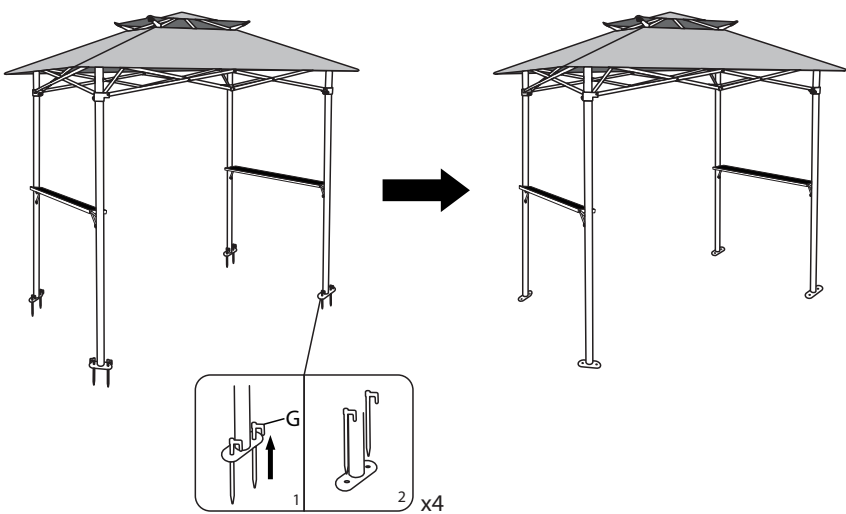


**TIPS:**  
Always secure your canopy with stakes.

### Taking Down the Canopy

#### 1 REMOVING THE STAKES

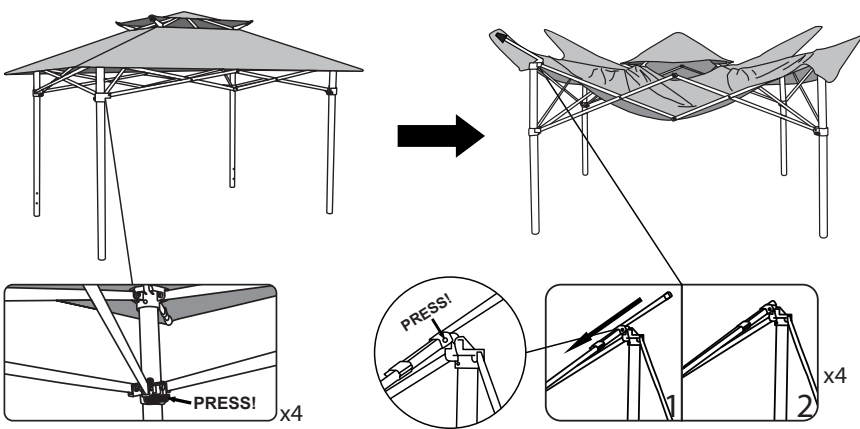
- Pull up all stakes (G) from the ground.



5

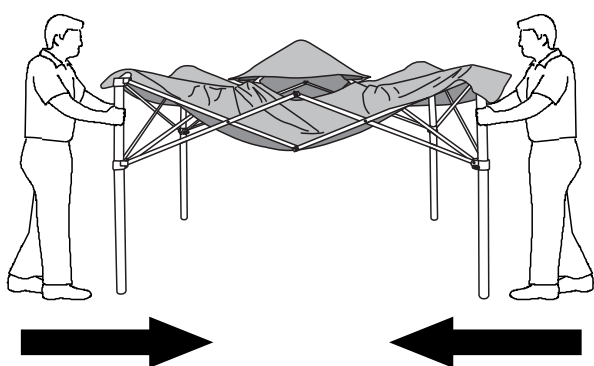
#### 4 UNLOCKING THE CANOPY

- From underneath the canopy, press in the red lock button on the leg assembly.
- Press the pin on plastic part of each corner to retract the telescoping poles. (right fig)



#### 5 FOLDING THE FRAME

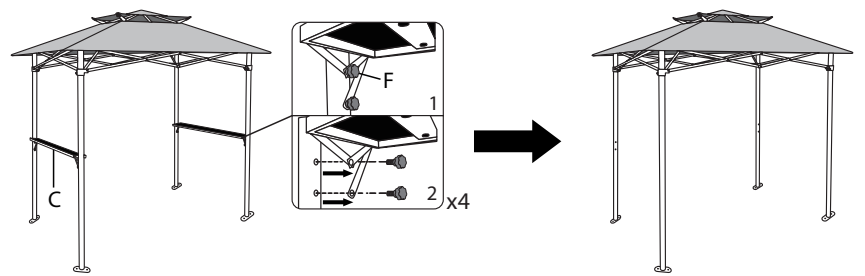
- Lift the canopy off the ground 2-3 inches and walk it in from both sides until the frame is fully closed.



7

## 2 TAKE DOWN THE GLASS TABLE

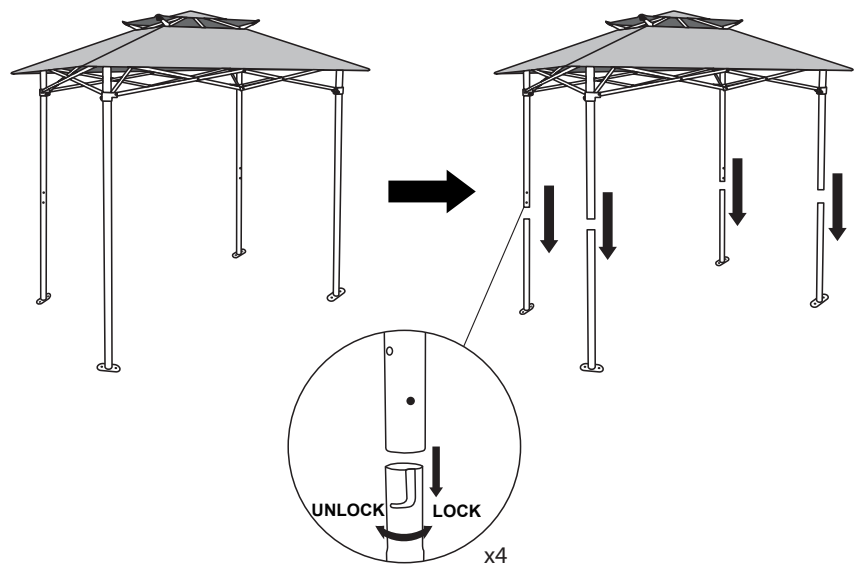
- One person lift the glass table (C) and the another person remove the knob (F) to detach the glass table from the frame legs.
- Repeat for remaining glass table.



**TIPS:**  
This step must be done with two people.

#### 3 REMOVE THE LOWER LEG

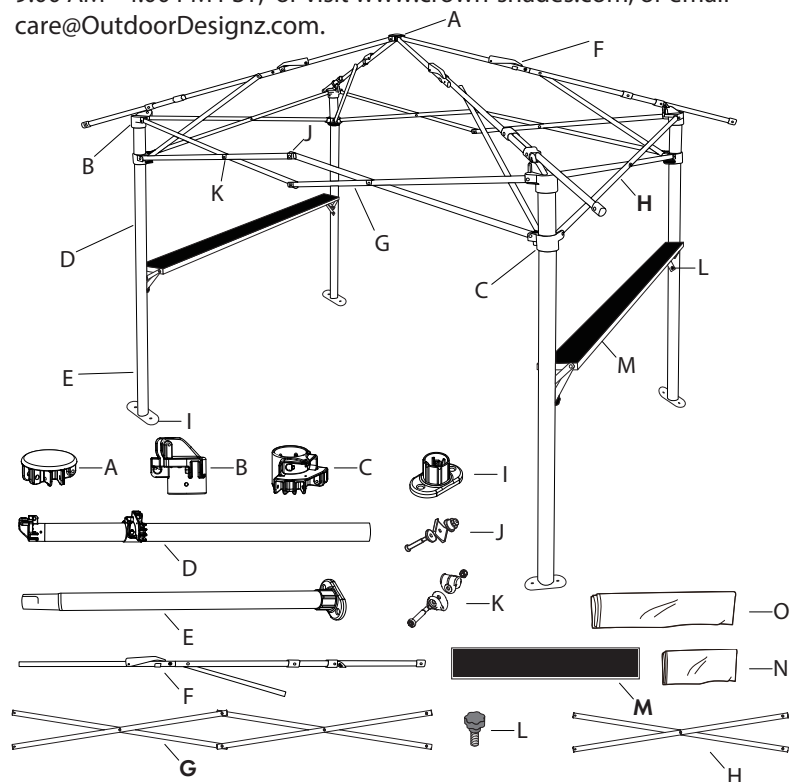
- With a partner, start on the narrow side, rotate and pull down the lower leg at the same time.
- Repeat for remaining legs.



6

### Spare Parts

To access spare parts, please call toll free 1-888-502-9589, Monday - Friday, 9:00 AM - 4:00 PM PST; or visit [www.crown-shades.com](http://www.crown-shades.com); or email [care@OutdoorDesignz.com](mailto:care@OutdoorDesignz.com).



Part	Description	Reference No.
A	Central Cap	UNCP00BK00
B	Leg Cap-48	UNLC19BE00
C	Slider-48	UNLS19BE00
D	Upper Leg Assembly	UNLA19BE0U
E	Lower Leg Assembly	UNLA19BE0L
F	Celing Assembly	UNCA58BE00
G	Long Eave Assembly	UNEA05BE00
H	Short Eave Assembly	UNEA08BE00
I	Plastic Foot	UNFT19BE00
J	M5 Bolt Kit	UNBKM5BK4P
K	M4 Bolt Kit	UNBKM4BKCS
L	Knob	UNKN06BK00
M	Table	UNTA05BE00
N	Small Fabric-Brown	UNTS58BR00
O	Large Fabric-Brown	UNTL58BR00



8