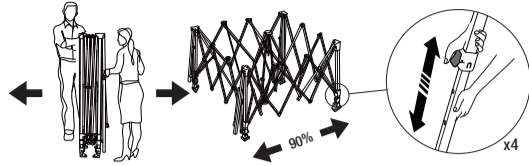


SETTING UP THE CANOPY

1 OPENING THE CANOPY FRAME

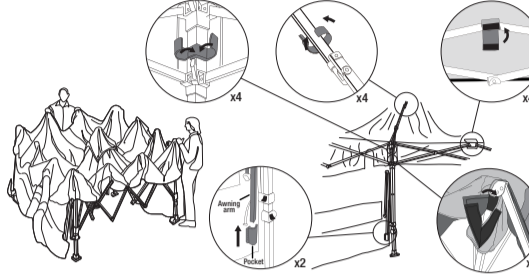
- With a partner, stand across from each other.
- Grasp a truss at the top of the frame and the other truss at the bottom, as shown. Lift slightly off ground and step backwards while squeezing trusses together.
- Lift up one side. Grasp the outer or upper leg with one hand and pull out the inner leg with the other. Extend until the button engages.



IMPORTANT:
Lift up the frame 2"-3" off the ground especially in tall grass or sand. Grasp the trusses away from the connections to avoid pinching. Get the frame 80%-90% opened.

2 ATTACHING THE CANOPY

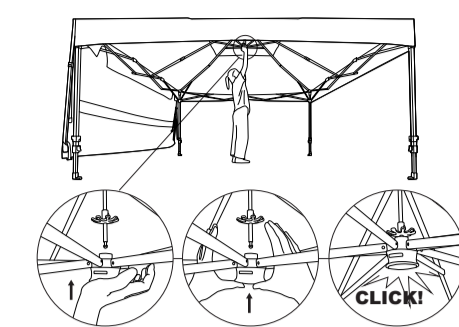
- Unfold the canopy top over the frame. Line up the awning panel on same side as the awning hardware. Insert awning panel pockets on the awning arms.
- Secure canopy to the corner of the frame and wrap the fabric flaps together with the hook and loop.



IMPORTANT:
Find the corners of the canopy before draping over frame. Do not attach the canopy while the frame is fully extended.

3 LOCKING THE FRAME

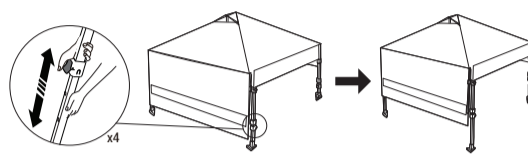
- Lift up one side of the frame and walk under it.
- Place one hand on the upper frame and use the other hand to push the central hub straight up until it clicks into the central pole.



IMPORTANT:
Lift the frame slightly off the ground while pushing up hub. Use both hands to guide the pole into the hub.

4 ADJUSTING THE CANOPY HEIGHT

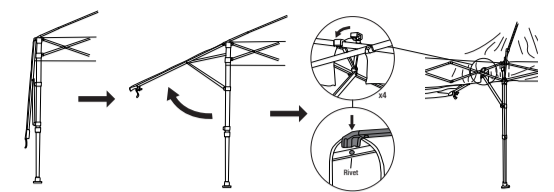
- Lift up one side. Grasp the outer or upper leg with one hand and pull out the inner leg with the other.
- Extend until the button engages.
- Set legs to desired height.



IMPORTANT:
Do not operate the awning panel until the leg tube is properly adjusted. DO NOT keep your foot on the footplate while extending the leg. This creates tension to cause damage to the frame. Only extend legs after the central lock is engaged. Utilize the various height adjustment to create a level shade.

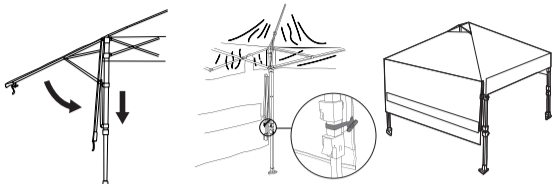
5 OPERATING THE AWNING PANELS

- Pull up one side of the awning panel arm until the support arm locks into hole on leg.
- Rotate the stabilizer bar and slide over the rivet on the upper perimeter truss as shown.



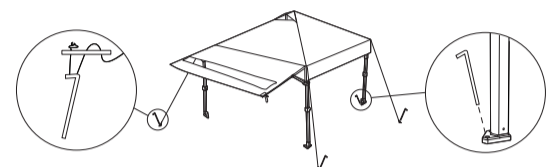
6 CONFIGURING DESIRED SETUP FOR AWNINGS

- Secure the strap around leg with toggle.



7 SECURING THE CANOPY IN PLACE

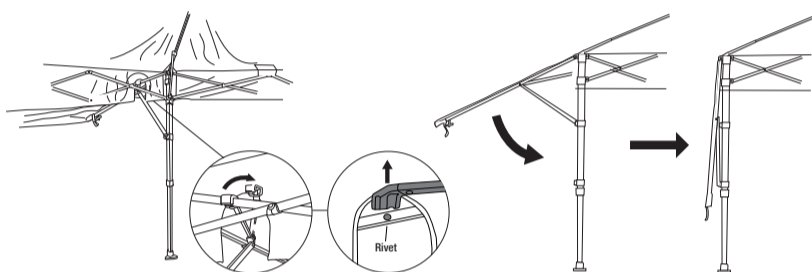
- Insert a stake into the foot of each canopy leg.
- Measure out each leg to a proper distance and secure four stakes to the ground. Tie the pre-attached ropes to the stakes in the ground. Ensure the ropes have the proper tension by adjusting the plastic adjusters on the ropes.



TAKING DOWN THE CANOPY

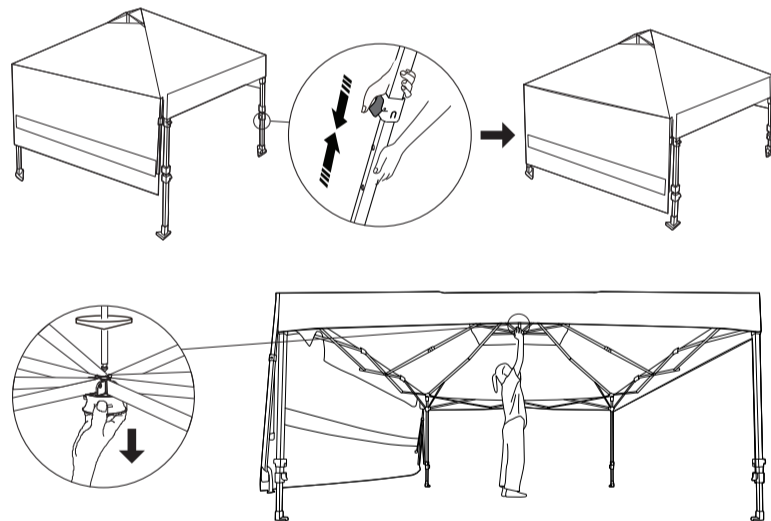
1 REMOVING THE STAKES AND RETRACTING THE LEGS

- Remove all stakes from the ground.
- Lower awning panel by lifting stabilizer bar and rotate back to the upper leg.



2 UNLOCKING THE CANOPY

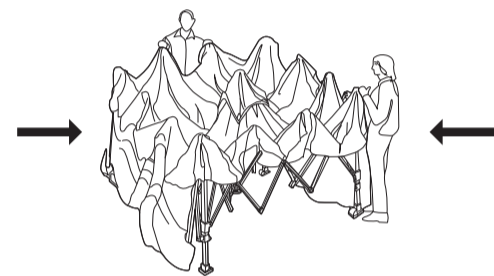
- Press the push button on each leg and retract the legs to their original height.
- From underneath the canopy, press in the red lock button. Pull down on the central hub until it is separated from the central pole.



IMPORTANT:
DO NOT retract the leg tubes until the awning panel has been lowered.

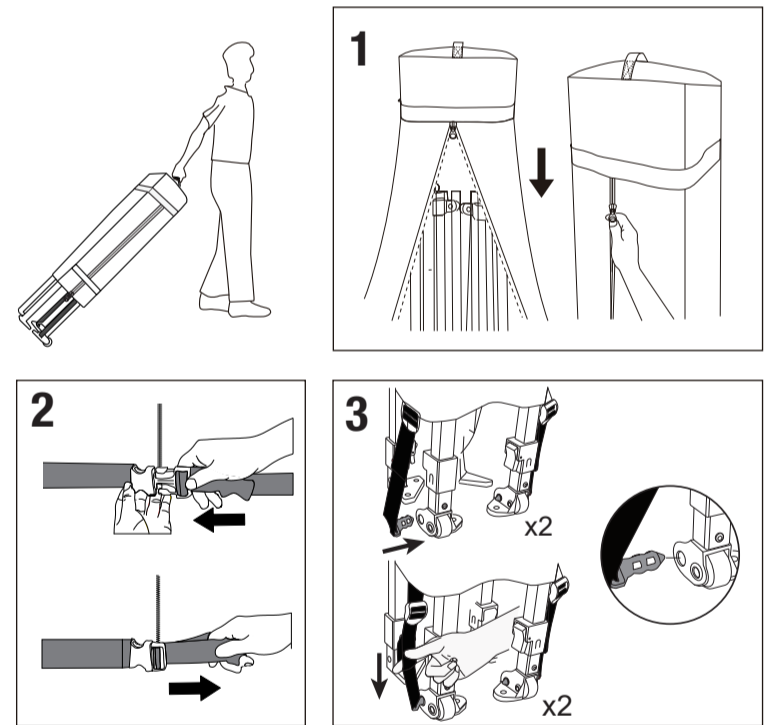
3 FOLDING THE FRAME

- Lift the canopy off the ground 2-3 inches and walk in from both sides until the frame is fully closed.



4 PACKING THE CANOPY IN THE STORAGE BAG

- Position the cover bag zipper to align with the 2 wheeled legs. Slide the bag over the closed frame. Zip the cover closed.
- Loosen the strap and insert the red plug into the opening in the footpad. Tighten straps by pulling down the strap loop.



Warranty

The manufacturer warrants for a period of 1 year from the original date of purchase, this product against any defects in materials or workmanship. At its discretion, the manufacturer may provide replacement parts to the original purchaser. Original receipt or proof of purchase as well as proof of defect is required. The manufacturer will not be responsible for shipping costs incurred outside the continental USA. Warranty is valid for the original purchaser 1 year from the date of purchase and is not transferable. This warranty does not cover any product purchased through non-authorized dealers and/or online auction websites.

WHAT IS NOT COVERED

This 1 Year Limited Warranty does not cover normal wear and tear, abuse or misuse of this product including damage from inclement weather conditions, such as wind, rain, or hail. In case of inclement weather, remove all valuables and persons and seek appropriate shelter. Under no circumstances will the manufacturer be liable or responsible for any incidental or consequential damages. This product is designed and intended for recreational use only. Prolonged exposure to UV rays will cause any fabric to fade and deteriorate and is NOT covered by this 1 Year Limited Warranty. All replacement products or parts will assume the remaining warranty of the original product. This warranty gives you specific legal rights. You may also have other rights which vary from state to state.

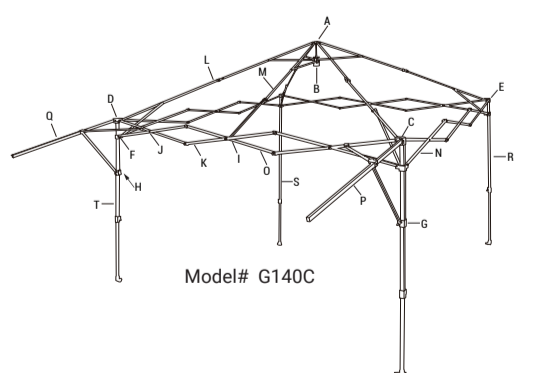
SPARE PARTS



NEED ASSISTANCE?

Please contact our customer service team.

Service@crownsadesusa.com
Toll Free (888) 877-6789
Mon-Fri 9:00 AM - 5:00 PM PST
www.crown-outdoor.com



Part	Description	Reference No.
A	Central Pole	GOCP82BK08
B	Central Bottom Hub	GOCH00BK08
C	Leg Cap(Left)	GOLC11BKWL
D	Leg Cap(Right)	GOLC11BKWR
E	Leg Cap	UNLC11BKMI
F	Slider	GOLS11BK00
G	Awning Slider(Left)	GOAS11BKLE
H	Awning Slider(Right)	GOAS11BKRI
I	M5-Bolt Kit(W/U Bracket)	UNBKM5BEPL
J	M4 Bolt Kit	UNBKM4BK3P
K	M5 Bolt Kit	UNBKM5BK4P
L	Ceiling Assembly	MACA10GD00
M	Ceiling Reinforce Assembly	MACA10GDCS
N	Eave Assembly	GOEA10GD00
O	Eave Assembly With Rivet	MACA10GDCS
P	Awning Tube Assembly(Left)	GOAT18GDWL
Q	Awning Tube Assembly(Right)	GOAT18GDWR
R	Leg With Wheel(Left)	GOLA08GDWL
S	Leg With Wheel(Right)	GOLA08GDWR
T	Leg Without Wheel	CSLA10GYNW
U	STO-N-GO Bag	GOCP40BKSG
V	Top Fabric-White	GOTL14WH00
	Top Fabric-Pink	GOTL14PK00
	Top Fabric-Grey	GOTL14GY00
	Top Fabric-Khaki	GOTL14BR00
	Top Fabric-Blue	GOTL14BU00

