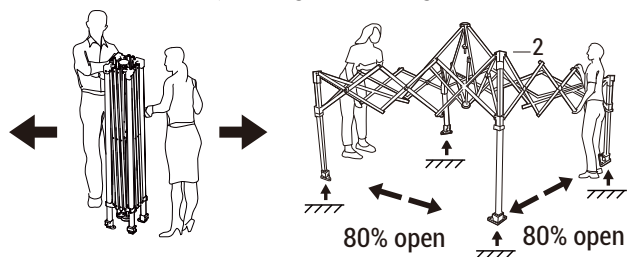


SETTING UP THE CANOPY

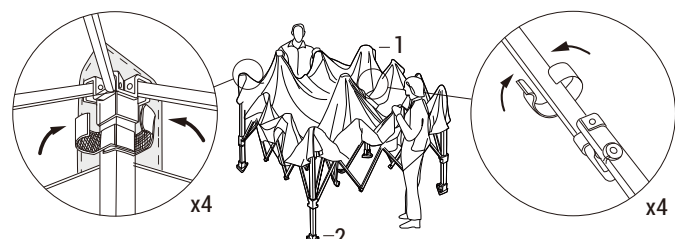
1 OPENING THE CANOPY FRAME

- With a partner, stand across from each other.
- Grasp a truss at the top of the frame(2) and the other truss at the bottom, as shown. Lift slightly off ground and step backwards while squeezing trusses together.



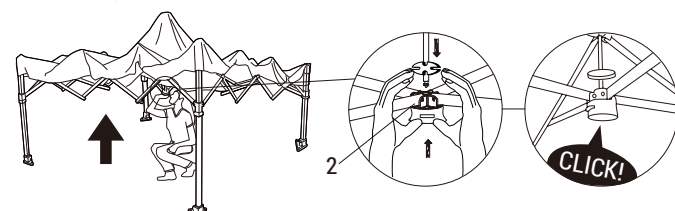
2 ATTACHING THE CANOPY

- Unfold the canopy (1) and place on top of the canopy frame (2).
- Secure the canopy (1) top to the corners of the canopy frame (2) using the Velcro connections.



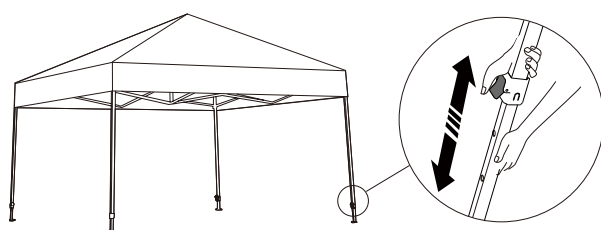
3 LOCKING THE FRAME

- Lift up one side of the frame (2) and walk under it.
- Place one hand on the upper frame and use the other hand to push the central hub straight up until it clicks into the central pole.



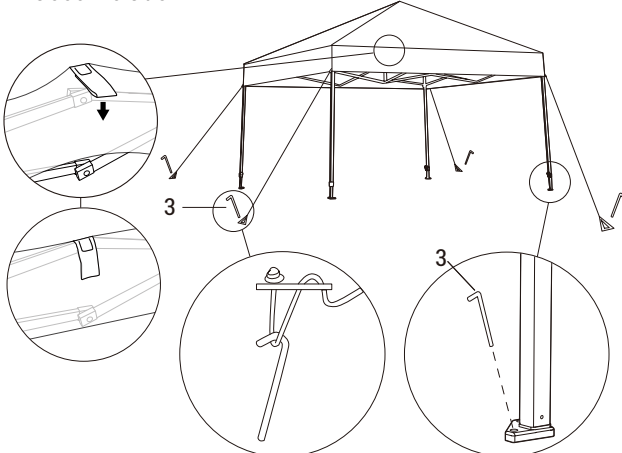
4 ADJUSTING THE CANOPY HEIGHT

- Lift up one side. Grasp the outer or upper leg with one hand and pull out the inner leg with the other.
- Extend until the spring button engages.
- Set legs to desired height.



5 SECURING THE CANOPY IN PLACE

- Insert a stake (3) into the foot of each canopy leg.
- Measure out each leg to a proper distance and secure four stakes (3) to the ground. Attach the ropes to the canopy top and tie the attached ropes to the stakes in the ground. Ensure the ropes have the proper tension by adjusting the plastic adjusters on the ropes.
- Connect the plastic sheet at the top to the plastic part of the frame eave (red parts) to reduce water accumulation.



TAKING DOWN THE CANOPY

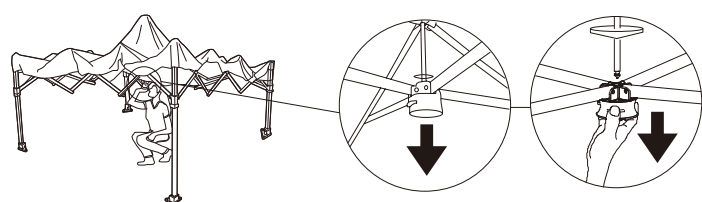
1 REMOVING THE STAKES AND RETRACTING THE LEGS

- Pull up all stakes from the ground.
- Press the push button to lower all legs.



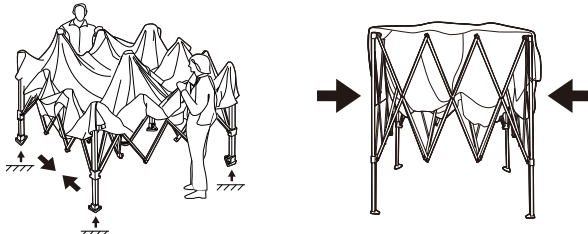
2 UNLOCKING THE CANOPY

- From underneath the canopy, press in the red lock button. Pull down on the central hub until it is separated from the central pole.



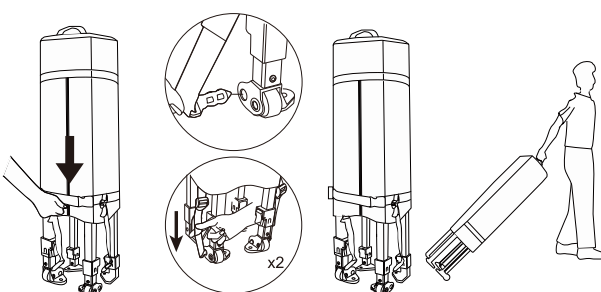
3 FOLDING THE FRAME

- Lift the canopy off the ground 2-3 inches and walk it in from both sides until the frame is fully closed.



4 PACKING THE CANOPY IN THE STORAGE BAG

- Position the cover bag zip to align with the 2 wheeled legs. Slide down the bag over the closed frame and zippered.
- Loosen the strap and insert the red plug into the opening in the footpad and tighten straps by pulling down the strap loop.



WARRANTY

The manufacturer warrants for a period of 1 year from the original date of purchase, this product against any defects in materials or workmanship. At its discretion, the manufacturer may provide replacement parts to the original purchaser. Original receipt or proof of purchase as well as proof of defect is required. The manufacturer will not be responsible for shipping costs incurred outside the continental USA. Warranty is valid for the original purchaser 1 year from the date of purchase and is not transferable. This warranty does not cover any product purchased through non-authorized dealers and/or online auction websites.

WHAT IS NOT COVERED

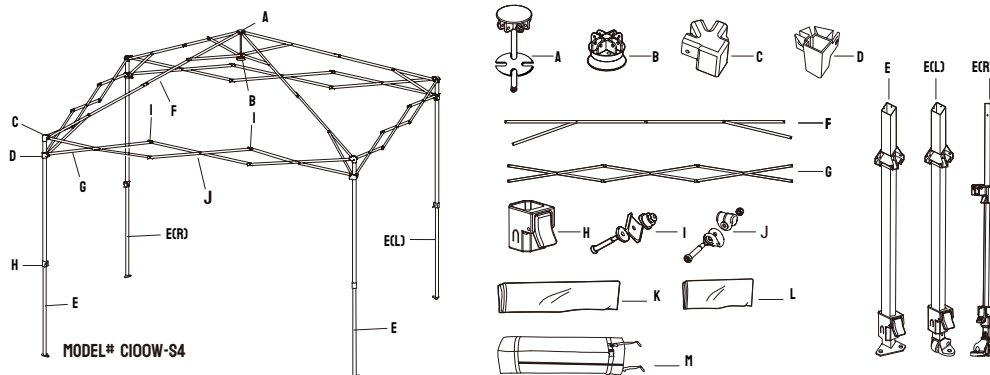
This 1 Year Limited Warranty does not cover normal wear and tear, abuse or misuse of this product including damage from inclement weather conditions, such as wind, rain, or hail. In case of inclement weather, remove all valuables and persons and seek appropriate shelter. Under no circumstances will the manufacturer be liable or responsible for any incidental or consequential damages. This product is designed and intended for recreational use only. Prolonged exposure to UV rays will cause any fabric to fade and deteriorate and is NOT covered by this 1 Year Limited Warranty. All replacement products or parts will assume the remaining warranty of the original product. This warranty gives you specific legal rights. You may also have other rights which vary from state to state.

SPARE PARTS

NEED ASSISTANCE?

Please contact our customer service team.

Service@crownsadesusa.com
Toll Free (888) 877-6789
Mon-Fri 9:00 AM - 5:00 PM PST
www.crown-outdoor.com



PART DESCRIPTION	REFERENCE NO.	
A Central Pole	UNCP82BKCL	
B Central Bottom Hub	UNCH00BKCL	
C Leg Cap-30	UNLC12BKMI	
D Slider-30	UNLS12BKMI	
E Leg-No Wheel	UNLA12WHNW	
E(L) Leg With wheel(Left)	UNLA12WHWL	
E(R) Leg With wheel(right)	UNLA12WHWR	
F Ceiling Assembly	UNCA10WHHI	
G Eave Assembly	UNEA10WHCL	
H Leg Extend	UNLE12BK4P	
I M5-Bolt Kit	UNBKM5BK4P	
J M4-Bolt Kit	EBBKM4BKCS	
K	Top Fabric-Red	CST310RDHI
	Top Fabric-Navy Blue	CST310NBHI
	Top Fabric-Forest Green	CST310FGHI
	Top Fabric-Sky Blue	CST310SBHI

PART DESCRIPTION	REFERENCE NO.	
Top Fabric-White	CST310WHHI	
Top Fabric-Blue	CST310BLHI	
K	Top Fabric-Grey	CST310GYHI
	Top Fabric-Beige	CST310KHHI
Top Fabric-Black	CST310BKHI	
Side Wall-White	SWT110WH4P	
Side Wall-Blue	SWT110BL4P	
Side Wall-Grey	SWT110GY4P	
Side Wall-Beige	SWT110KH4P	
L	Side Wall-Black	SWT110BK4P
	Side Wall-Red	SWT110RD4P
	Side Wall-Navy Blue	SWT110NB4P
	Side Wall-Forest Green	SWT110FG4P
Side Wall-Sky Blue	SWT110SB4P	
M Cover Bag	CSCB10BKNW	